



**Technify
Motors**

Technify Motors GmbH
Platanenstrasse 14
09356 Sankt Egidien, Germany

Tel: +49 37204 696 0
Fax: +49 37204 696 2912
www.centurion-engines.com
info@centurion-engines.com

SB TMG 691-1003 P2

Service Bulletin

PRIORITY 2 - RECOMMENDED

Service Bulletin No. / Date: SB TMG 691-1003 P2, Initial Issue / December 15, 2015

Subject: Water separator

Type affected: All Diamond DA40 with TAE 125-02-114

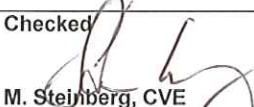

Models affected: DA40 D with TAE 125-02-114 Installation i.a.w. STC no. 10036328

Classification: Category P2 – Recommended

Time of Compliance: At the next maintenance action.

Reason: To prevent a possible damage to the MAP-sensors by condensed water.

Approval: The technical information contained in this document has been approved under the authority of EASA Design Organisation Approval No. EASA.21J.010.

Checked  M. Steinberg, CVE	Approved  M. Heinrich, Office of Airworthiness
---	---

Replaces Service Bulletin No. / Date: -

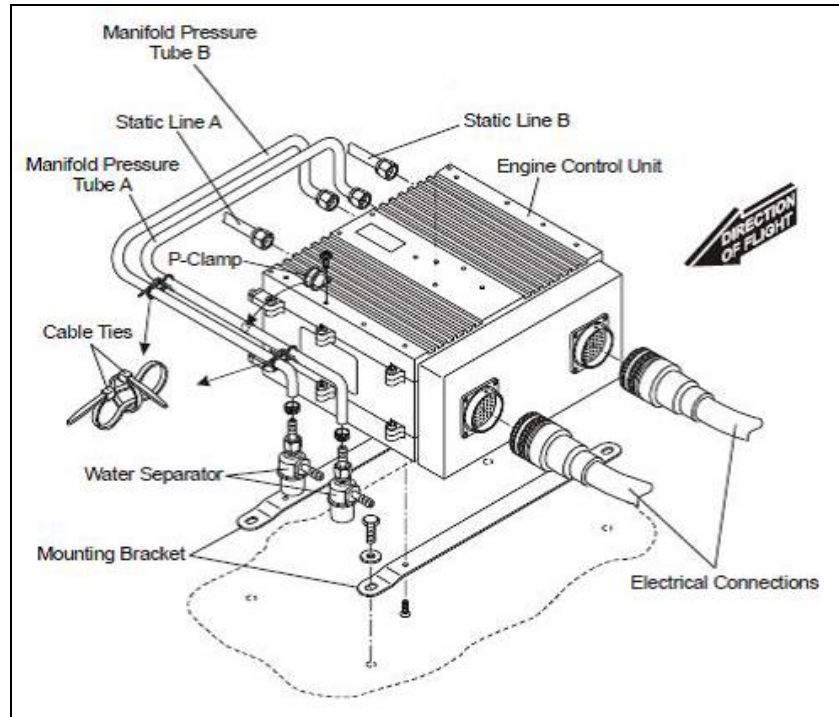
Page 1 / 3



Correction:

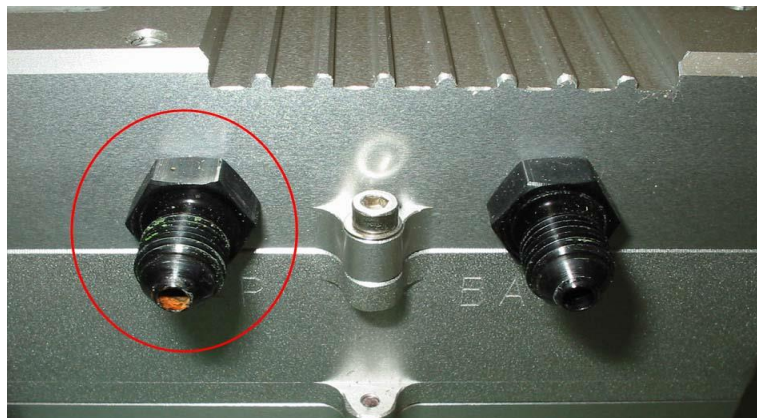
1. Inspection

- Remove the pilot seat i.a.w. the original A/C AMM.
- Check if an original water separator system is installed.
See figure below.



- Remove both MAP lines to check the FADEC fittings.
- Inspect the FADEC fittings on water, water residues, corrosion, sediments etc. Refer to the picture below.

If such damages are detected, the FADEC needs to be replaced.



- Check the Map lines on water entry.

If water remains are detected, the lines need to be dried with appropriate means.

- Refasten both MAP lines.



2. Preparation

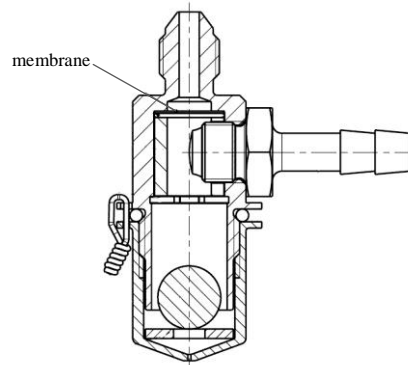
- If no original water separator system is installed carry out the Diamond Service Bulletin RSB D4-083/1.
 - If an original water separator system i.a.w. RSB D4-083 is installed carry out the Diamond Service Bulletin RSB D4-083/1 (*improved water separator design with integrated membrane*) resp. install the water separators P/N 50-3940-E0020 03 (DAI P/N: D60-9076-14-01).
- ◆ Note: If the FADEC D48 has been replaced by a FADEC D4 please also take into account the Diamond Service Bulletin RSB D4-098.

3. Installation

Parts:

Item	Part Number	Description 1	Description 2	Qty.
1	50-3940-E0020 03	water separator assembly	with membrane	2

- Disconnect the manifold pressure hose from both water separators.
- Remove both water separators from the manifold pressure tubes.
- Attach both new water separators to the manifold pressure tubes.
- Connect the manifold pressure hoses to the water separators.



P/N 50-3940-E0020 03

4. Test run

- Perform an engine test run in accordance with OM 02-02.
- Check the system for leakage.