



Continental Aerospace  
Technologies GmbH  
Platanenstrasse 14  
09356 Sankt Egidien, Germany

Tel: +49 37204 696 0  
Fax: +49 37204 696 2912  
www.continentaldiesel.de  
info@continentaldiesel.de

SB CG 300-1000 P1, Revision 1

## SERVICE BULLETIN

### PRIORITY 1 - SAFETY

**Service Bulletin No.** SB CG 300-1000 P1, Revision 1  
**Date:** April 25, 2022

**Subject:** Check the installation of the gearbox oil cooler

**Type affected:** Centurion 3.0 (CD-300)


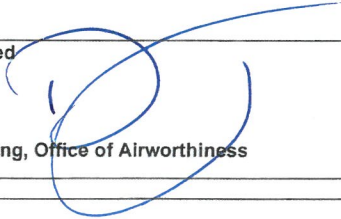
**Models affected:** Engines with gearbox P/N 06-7212-K0060xx and gearbox S/N:

00024	00028	00029	00031	00033	00034
00035	00036	00037	00038	00039	00040
00041	00042	00043	00045	00046	00047

**Classification:** Category P1 – SAFETY

**Time of Compliance:** With the next maintenance action.

**Reason:** It is possible that the oil cooler is incorrectly fitted. This can lead to an overheated gearbox and finally to a partial loss of power.

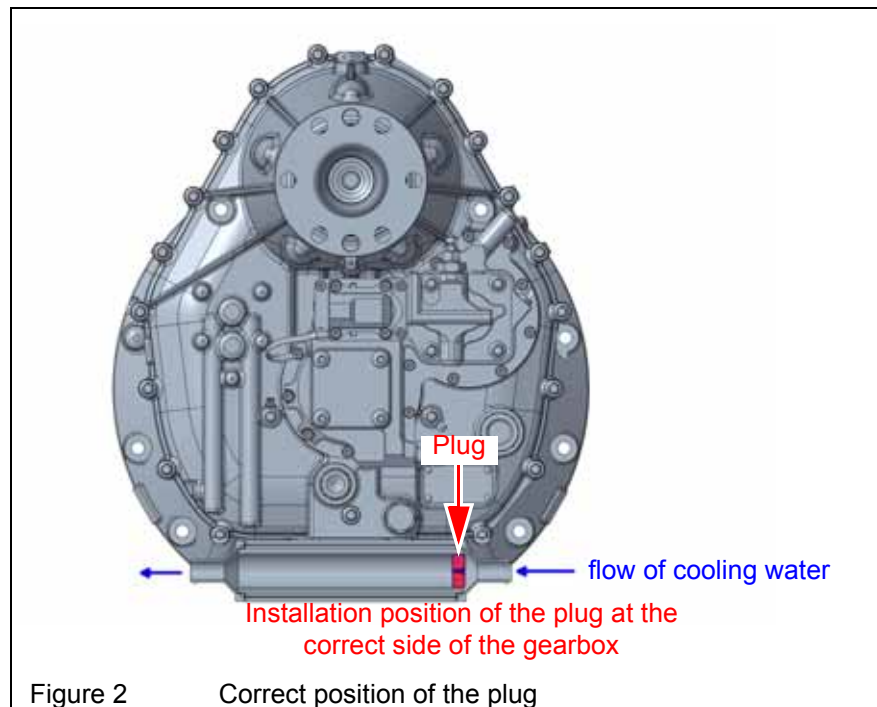
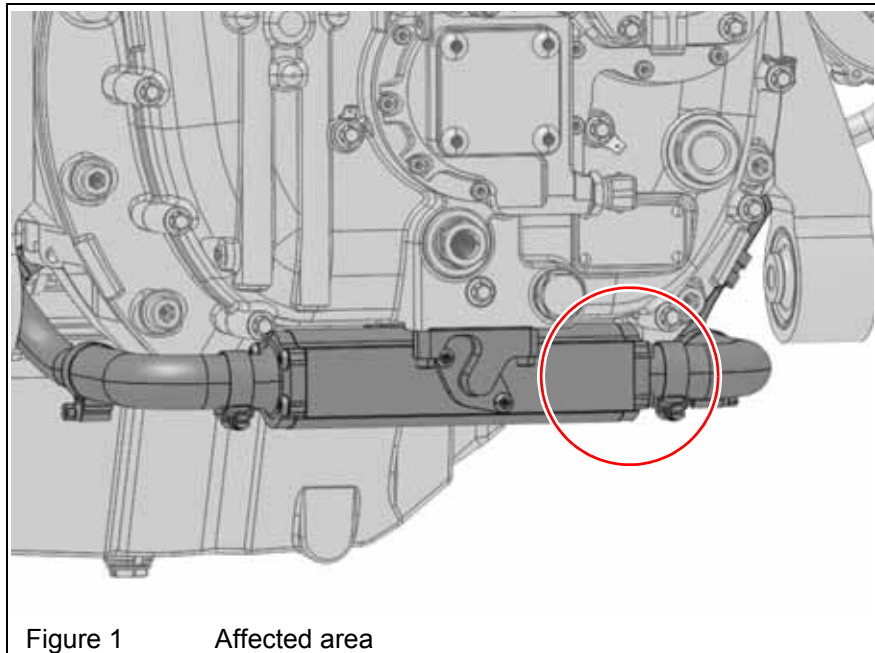
Checked  T. Franke, CVE 	Approved  D. Hartung, Office of Airworthiness 
--	---

**Replaces Service Bulletin No. / Date:**  
SB CG 300-1000 P1, Initial Issue / April 11, 2022

Page 1 / 5

**Correction:**

Check installation position of the plug, correct if necessary.



1. Disconnect the oil cooler from the coolant supply.

◆ Note: Use the appropriate coolant hose clamps.

2. Remove the coolant hoses from the oil cooler.

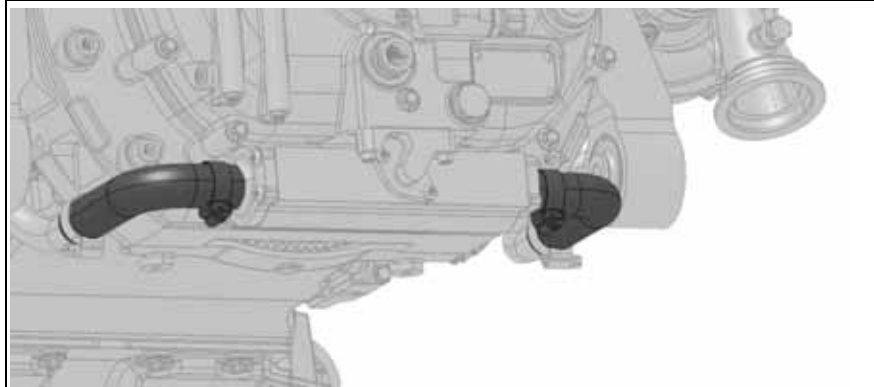


Figure 3 Coolant hoses of the oil cooler (front view)

3. Check the position of the plug at the right side (gearbox front view) of the oil cooler.

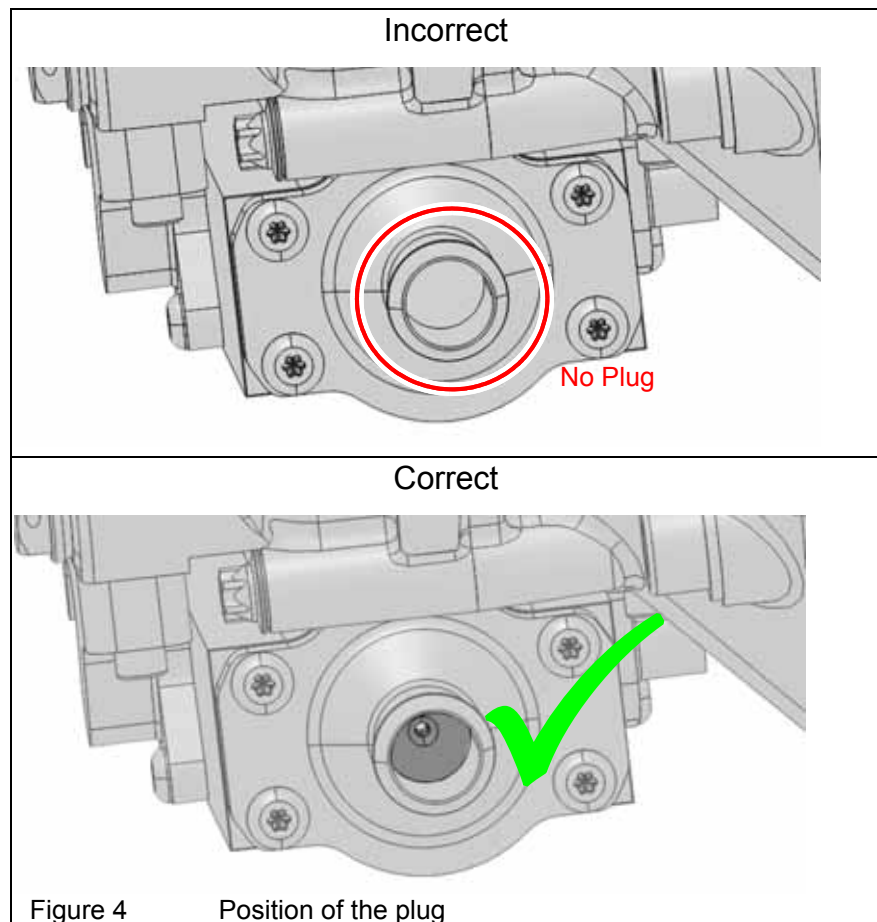


Figure 4 Position of the plug

If the plug is installed correctly:

4. Continue with step 10.

If the plug is installed incorrectly:

5. Drain the gearbox oil, refer OM-06-01.
6. Remove the four screws of the oil connection to remove the oil cooler. Discard the O-rings and screws.

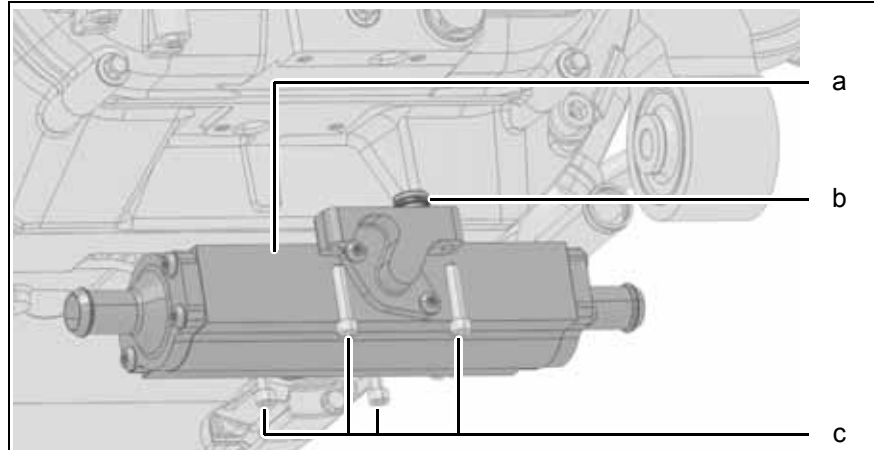


Figure 5 remove the oil cooler

- a Oil cooler
- b O-ring 12x2
- c Hexagon socket head cap screw M5x25

7. Measure the distance between the plug and the collar of the water connector.

◆ Note: Value > 36 mm - rotate the oil cooler  
Value ≤ 36 mm - replace the oil cooler

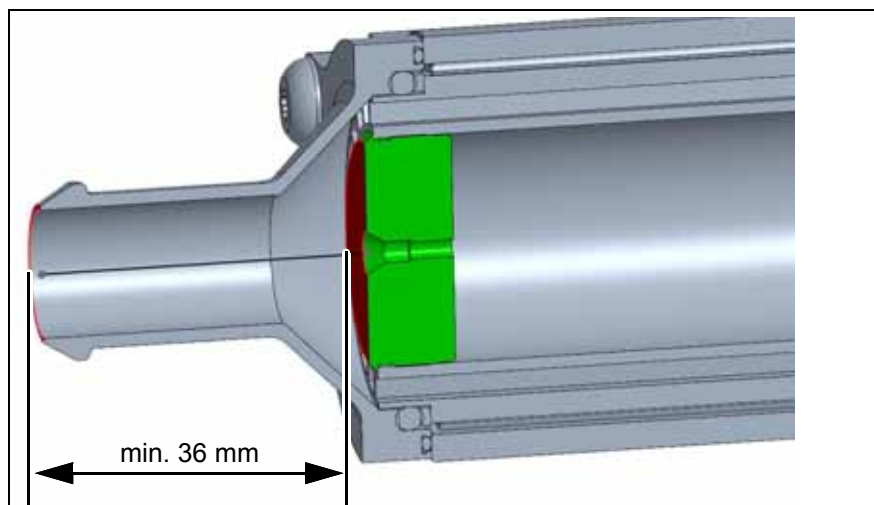


Figure 6 Measure the distance between the plug and the collar of the water connector

8. Install the oil cooler, make sure the plug is on the correct side, see Figure 7. Use new O-rings and screws.

**Tightening Torque:**  
7 Nm

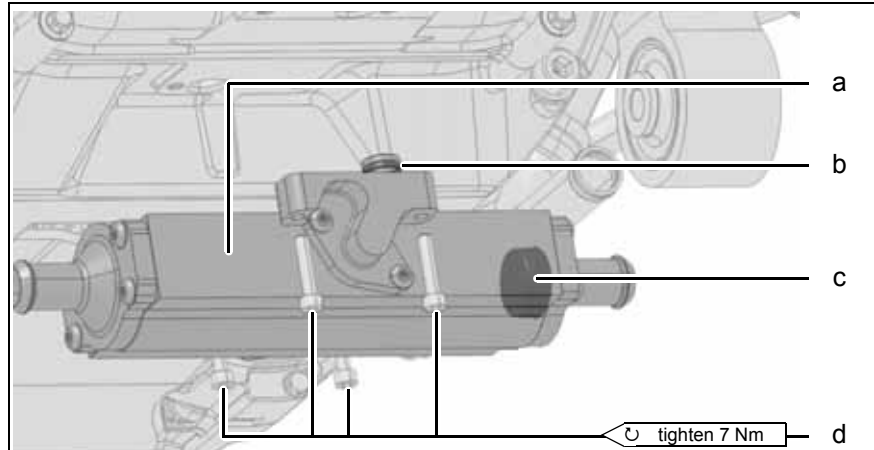


Figure 7 install the oil cooler

- a 06-7212-K006703 Oil cooler  
b NM-0000-0146001 O-ring 12x2  
c Plug  
d NM-0000-0076901 Hexagon socket head cap screw M5x25

9. Refill the gearbox oil, refer OM-06-01.  
10. Reinstall the hoses of the oil cooler.  
Tighten the hose clamp to the specified tightening torque.  
**Tightening Torque:**  
5-6 Nm (44-53 inch-lbs.)  
11. Check the cooling water level and correct if necessary.  
Refer to OM-06-01.

**Remarks:**

-

**Parts:**

Item	Part Number	Description	Quantity
1	06-7212-K006703	Oil cooler	as req. up to 1
2	NM-0000-0076901	Hexagon socket head cap screw M5x25	as req. up to 4
3	NM-0000-0146001	O-ring 12x2	as req. up to 4

**Approval:**

The technical content of this document is approved under the authority of the DOA ref. EASA.21J.010.