



**Technify  
Motors**

Technify Motors GmbH  
Platanenstrasse 14  
09356 Sankt Egidien, Germany

Tel: +49 37204 696 0  
Fax: +49 37204 696 2912  
www.centurion-engines.com  
info@centurion-engines.com

SI TMG 125-0001, Initial Issue

# Service Instruction

**Service Bulletin No. / Date:** SI TMG 125-0001, Initial Issue / April 17, 2015

**Subject:** Installation sealing ring of the gearbox oil drain plug

**Type affected:** All

**Models affected:** All

**Classification:** Category SI – SERVICE INSTRUCTION

**Time of Compliance:** n/a


**Reason:** Improperly installed flat sealing ring in field.  
Oil leaks due to improperly installed seal.

Checked

C. Rudolph, CVE

Approved

D. Hartung, Office of Airworthiness

 **Technify  
Motors**  
Office of Airworthiness  
Technify Motors GmbH  
DOA No. EASA.21J.010

17. 04. 15

**Replaces Service Bulletin No. / Date: -**

Page 1 / 2



**Correction:** Installation of P/N: NM-0000-0188601

- 
- **CAUTION:** The sealing ring has 2 different sealing surfaces.  
The plane surface of the sealing ring must face the magnet.
- 

The exact installation must be observed.

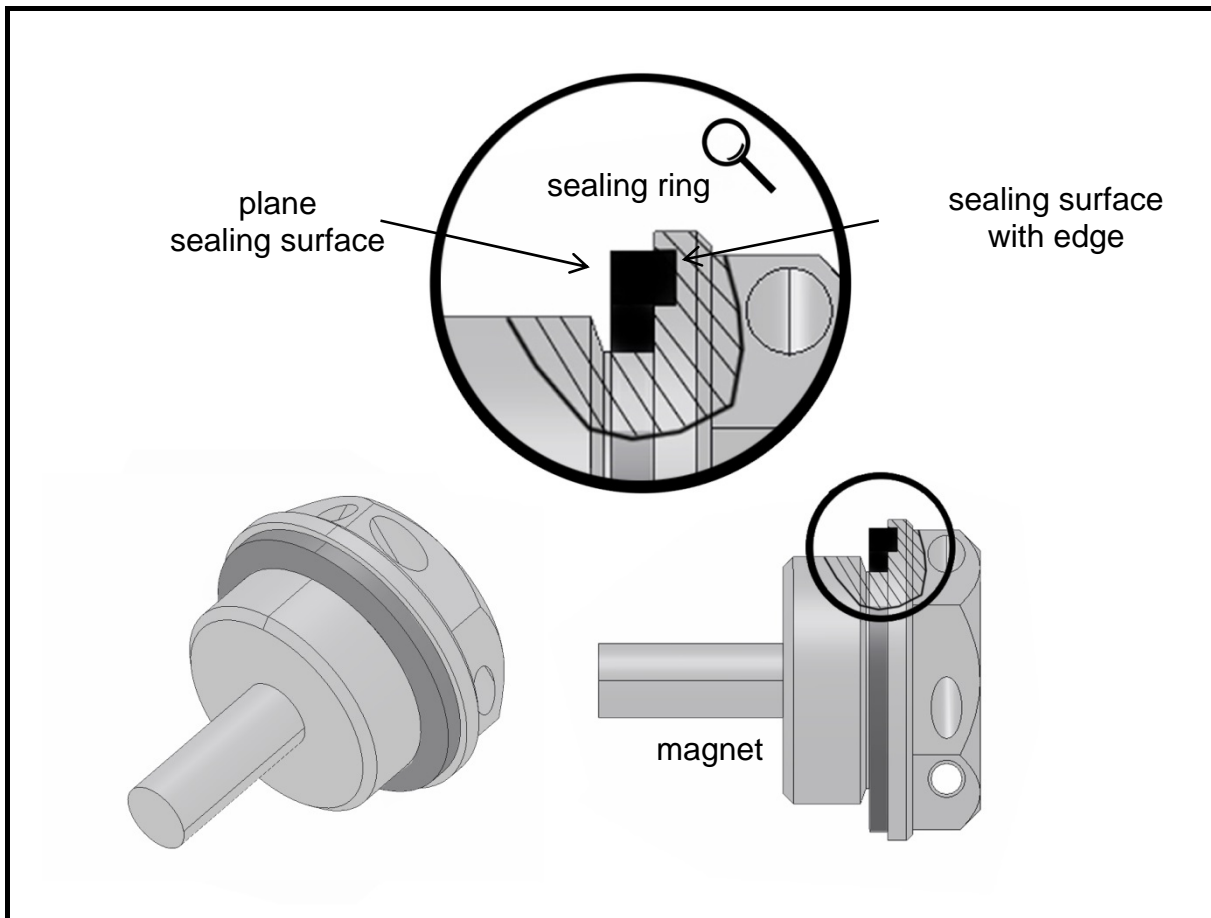


Figure 1

**Remarks:** -

**Approval:** The technical information contained in this document has been approved under the authority of EASA Design Organisation Approval No. EASA.21J.010.